



---

# ELECTRONIC CRANE SCALE

MODELS: OCS-M & OCS-L

---

## IMPORTANT

Please read this user manual carefully before using the crane scale.

## TABLE OF CONTENTS

SAFETY GUIDE	2
PRODUCT CHARACTERISTICS	2
SPECIFICATION	3
BASIC PARAMETER	3
DIMENSION AND NET WEIGHT	3
OPERATION GUIDE	4
ELECTRICAL CIRCUIT DIAGRAM	5
DISPLAY ILLUSTRATION	6
TROUBLESHOOTING GUIDE	6
PRECAUTION	7
REMOTE CONTROLLER GUIDE	7

## SAFETY GUIDE

Read carefully the following instruction and advice before using this scale.

- Over-loading this scale is harshly prohibited
- Refrain from long-time loading that could lead to excessive fatigue on loadcell used inside the scale. Excessive fatigue on loadcell would decrease the accuracy and shorten the life of scale.
- Check the shackle and hook regularly.
- Check the battery power level before/after use and recharge the scale in time.
- In order to maximize the battery life, periodic recharging is necessary for scales even not in use for a long time.
- Do not try to repair the scale by yourselves.
- Use privately attached charger only.g.

## PRODUCT CHARACTERISTICS

MODEL	DISPLAY	CHARACTERISTICS
OCS-M	30mm(1.2")LED	High accuracy,small volume, easy to bring.
OCS-L	30mm(1.2")LCD	High accuracy,small volume, easy to bring.

**High quality:** The process management is operated according to OIML R76, GB/T11883-2002, and get the European CE certificate.

**Safty installation:** Aluminum Die-Casting Case, high intensity hook and shackle, special loadcell for safty installation.

**High reliability:** Using high quality components on PCB circuit board to insure long time stability. Broad applicability: 30mm high character display, 25M distance eyeshot, can be used in storage industry, textile industry, metallurgy industry etc.

**Simply operation:** Check battery voltage automatically, wireless remote controller, separate battery space, small volume, easy to bring.

**Complete function:** Kg/Lb conversion, Hold, Tare, Division option, Stability regulation, Accumulation/Search, Gross/Net conversion, parameter regulation etc.

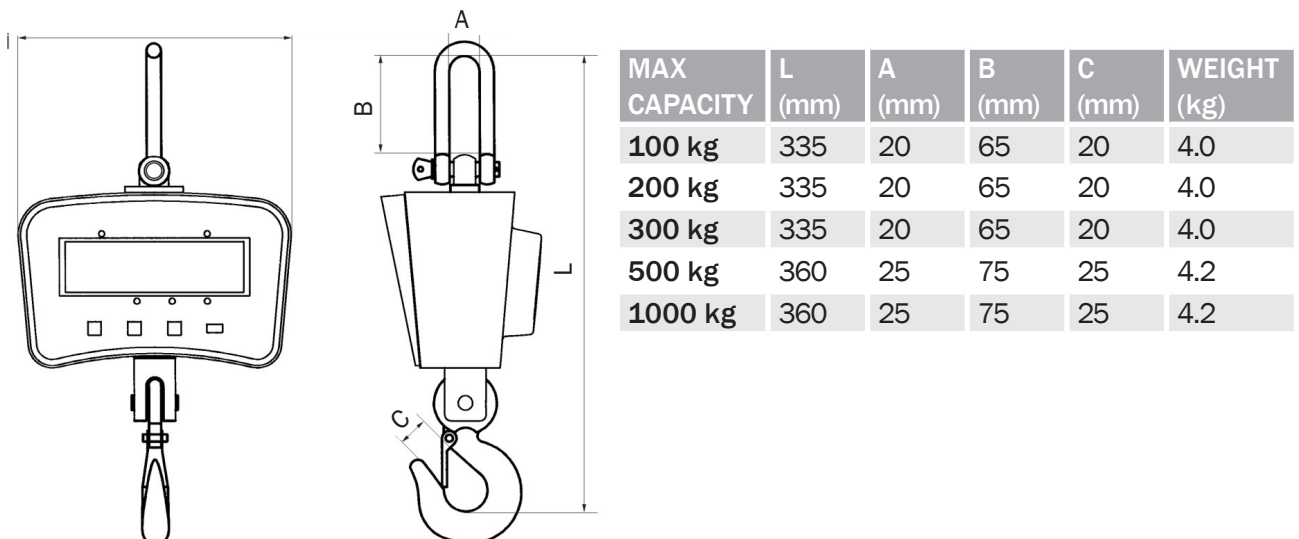
## SPECIFICATIONS

Standard	GB/T11883-2002 (Electrical Crane Scale)
Accuracy class	OIML class III
Display	30mm(1.2") 5digits LCD/LED
Zero Range	4% full capacity
Tare Range	100% Full capacity
Stable Time	≤10 seconds
Overload Indication	100% Max. capacity + 9e
Max. Safety Load	125% Max. capacity
Ultimate Load	400% Max. capacity
Battery Life	≥50 hours
Battery Type	Fully sealed Lead-Acid battery, 6V/5Ah
Adapter	DC9V/1500mA
Operating Temp.	- 10°C~ + 40°C
Operating Humidity	≤85% RH under 20°C
Remote Controller Distance	Min. 10m
Battery of Remote Controller	5# battery, 1.5V×2

## BASIC PARAMETERS

MODEL	MAX. CAPACITY (KG/LB)	MIN. CAPACITY (KG/LB)	DISPLAY (KG/LB)	TOTAL DISPLAY COUNTS(N)
OCS-M/L-01	100 /220	1 /2	0.05 /0.1	n=2000
OCS-M/L-02	200 /500	2/4	0.1 /0.2	n=2000
OCS-M/L-03	300 /700	2 /4	0.1 /0.2	n=3000
OCS-M/L-05	500 /1100	4 /10	0.2 /0.5	n=2500
OCS-M/L-1	1000 /2200	10 /20	0.5 /1	n=2000

## DIMENSION AND NET WEIGHT



## OPERATION GUIDE

### TURN ON

OPERATION	DISPLAY	ILLUSTRATION
[ OFF / ON ]	[ 8.8.8.8.8 ]	Display two times
	[ 500.0 ]	Display capacity two times
	[ U X.XX ]	Displays the voltage of battery
	[ - - - - ]	Wait until stable signal
	[ 0 ]	“STC” light, can hang the weight

**Anmärkning:** För att uppnå noggrannheten bör vågen användas först 3-5 minuter efter

### ZERO

OPERATION	DISPLAY	ILLUSTRATION
Press [→0←] on scale	[ 0 ]	After turned on, generally displays [ 0 ]. If no [ 0 ], scale can still be used
Press [ ZERO ] on controller	[ 0 ]	After turned on, generally displays [ 0 ]. If no [ 0 ], scale can still be used

### TARE

OPERATION	DISPLAY	ILLUSTRATION
Press [→T←] on scale	0	Press this key to deduct the weight of container, while “TARE” light on, the scale will show the net weight of load
Press [TARE] on controller	0	Press this key to deduct the weight of container, while “TARE” light on, the scale will show the net weight of load

**Notice:** As crane scale deduct the weight of container automatically, so it will show the net weight of load every time, you needn't press this key to get net weight until you change the container or turn off.

### CHECK BATTERY

Press [OFF/ON] on scale, when turn on or turn off, it shows [U X.XX]

Press [OFF] on controller, when turn off, it shows [U X.XX]

Press [MR] [F1], it shows [U X.XX], press [MR] return

## HOLD THE WEIGHT READING

TPress “**HOLD**” key on the remote controller to hold the displayed weight reading. At this moment, “**HOLD**” light on, Press this key again will disable hold function.

## LOW BATTERY WARNING

When the battery voltage lower than [U 5.80], the display flash, but the scale can still work until the display show [-Lb-], one minute later, it will turn off automatically, you need to recharge the battery to use again.

## OVERLOAD WARNING

The display will show [-OL-] once the load (Net + Tare) exceeds Max. capacity. Make sure that the load are within the capacity range, otherwise it's very dangerous..

## POWER SAVING

The display will show [- ] when the load are at stable status in excess of 15 minutes and revert to normal weighing readings while load changes. when the load are at stable status in excess of 60 minutes, the scale will turn off automatically

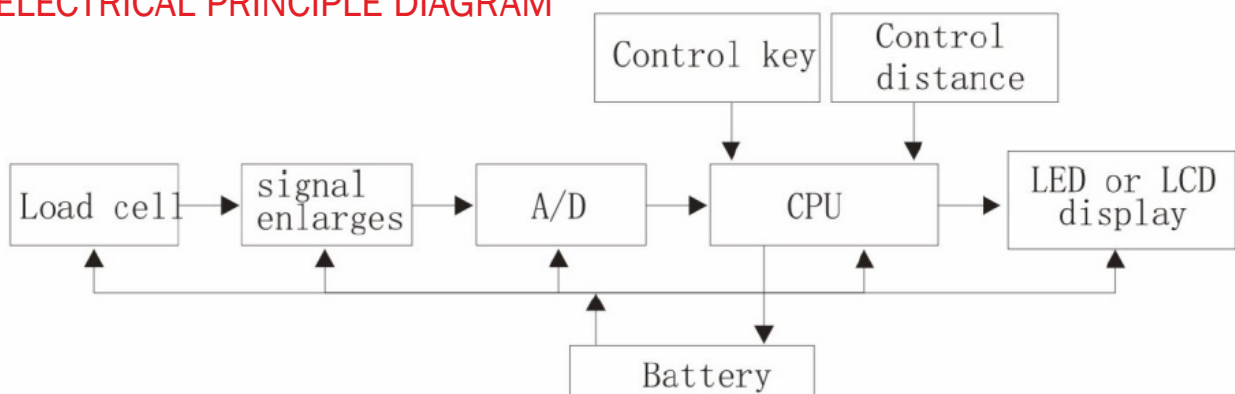
## RECHARGING BATTERY

1. Turn off, connect the adapter with 220V AC power supply , also insert the plug in the socket which located in the rear of scale. The light become green, it means it's recharging automatically, until the green light become red, that means recharging is finished.
2. When you need to use crane scale hour after hour, take off the rear cover, change the battery with re charged battery.  
**Attention:** Generally, the time of recharging should not lower than 8 hours, this scale have recharging protection function, long time recharging will not damage the battery.

## TURN OFF

- Press [OFF/ON] on scale 2 seconds
- Press [OFF] on controller 2 seconds
- If scale is stable after 15minutes, it shows [- ],  
If no change occurs within 60 minutes, the scale turns off automatically.

## ELECTRICAL PRINCIPLE DIAGRAM



## DISPLAY ILLUSTRATION

DISPLAY	ILLUSTRATION
----	Waiting stable
Err10	Accumulated weight not exceed Min. Capacity
Err11	Accumulated times exceed, (can't accumulate after 30times)
Err12	Accumulated weight exceed(can't accumulate after 99999)
CLr	Asks if you really want to delete accumulated weight, in case of accidental deletion
noCLr	Cancel deletion
88888	Confirm deletion
noACC	No accumulated value (when you check)
SHIFt	Conversion, when you press [SHIFt] in controller
UX.XX	Current battery voltage
SCALE	Enter weight adjustment
SEtUP	Enter parameter adjustment
UAdJ	Enter voltage adjustment
-OL-	Overload warning
-Lb-	Low battery warning
End	End, when parameter adjustment ready
OFF	Turn off

## TROUBLESHOOTING GUIDE

TROUBLE	REASON	SOLUTION
No display when turn on	Battery Damaged	Check Battery
No display when turn on	Loose battery contact	Tighten the contact
Flashing display	Low battery	Recharge the battery
Can't turn On & Off	OFF/ON button is damaged	Check and clean the button
Can't Tare	TARE button is damaged	Check the adaptor
Recharge indicator light can't turn on	The adaptor is damage	Check the adaptor
Recharge indicator light can't turn on	The adaptor is not plugged ready	Insert plug again
Display isn't stable	The load is unstable	Stabilize the load
Display isn't stable	Loadcell cable damaged	Check and replace loadcell
Display isn't stable	The scale has been in a damp environment for a long time	Put the scale in a dry environment
The display doesn't show " 0 " on an empty load	Have not allowed enough time for scale heating after turn on	After turning the scale on, allow 3 - 5 minutes for heating
The display doesn't show " 0 " on an empty load	The scale has been on the ground for too long	Scale should be hung
The error is large	The scale isn't hung properly	Check the scale and sling
Battery can't recharge	Battery is damaged	Replace battery
Battery can't recharge	Outlet is damaged	Replace the outlet
Remote distance shortened	Receiver window is too dirty	Check and clean
Remote distance shortened	Controller has low battery	Replace controller battery

## PRECAUTIONS

- The crane scale is a kind of precise weighing instrument, pay attention on operation and maintenance.
- Rotate the load instead of machine itself if necessary for operation.
- Stop using the machine under the circumstances of thunder & rain.
- Check periodically if the clips/pins and screws of the machine are loose or broken before use.
- If low battery signal appears & LED annunciator goes green while charging, please check the battery.
- Hang the machine instead for storage while not in use in order to prevent from unnecessary load on the weight sensor inside.

## REMOTE CONTROLLER GUIDE

### LIGHTNESS OF DISPLAY

OPERATION	ILLUSTRATION
<b>F1</b>	0~5, 0: no display, 1: Minimum light, 5: Maximum light (Default: 2)

### ZERO

OPERATION	ILLUSTRATION
<b>ZERO</b>	display [ 0 ]when no load, "ZERO"light on

### "HOLD"

OPERATION	ILLUSTRATION
<b>HOLD</b>	Hold the weight, "HOLD" light on
<b>HOLD</b>	Convert to weighing situation, "HOLD" light off

### TARE

#### 1. Set tare weight in advance

OPERATION	ILLUSTRATION
<b>TARE</b>	Display show net weight, "TARE" light on
<b>TARE</b>	Display show gross weight, "TARE" light off

## 2. Set tare weight in advance

OPERATION	DISPLAY	ILLUSTRATION
MR	SHIFT	
TARE	00000	Current tare weight
	****	Input the tare weight
MR	- ***	Exit, "TARE" light on, it will deduct tare weight automatically when weighing.

## ACCUMULATION

OPERATION	DISPLAY	ILLUSTRATION
M+	No***	Current accumulation times
	H****	Rear four digits of current accumulated value
	L****	Front four digits of current accumulated value

**Attention:** The display automatically returns to weighing after two tours of the cumulative weight or when the [MR] is pressed.

## SEARCH

OPERATION	DISPLAY	ILLUSTRATION
MR ]	No***	Current accumulation times
M+	*****	Current Weight
	H****	Rear four digit of current accumulated value
	L****	Front four digit of current accumulated value
MR	0	Return to weigh

**Attention:** Press [TARE] and [→0←] to look up the weight and accumulated weight. Press [ MR ] to return.

## CLEAR

OPERATION	DISPLAY	ILLUSTRATION
CLEAR	CLr	Display blinks: please confirm if you want to delete accumulated value
CLEAR	noCLr	Cancel deletion
MR	88888	Confirm deletion

## ZERO DISPLAY

OPERATION	DISPLAY	ILLUSTRATION
MR	SHIFT	
→0←	***	Display current zero value

## KG/LB CONVERSION

OPERATION	DISPLAY	ILLUSTRATION
MR	SHIFT	Un=0:kg "lb"light off
HOLD	Un= *	Un=1:lb "lb" light on,



## SEARCH OVERLOAD TIMES

OPERATION	DISPLAY	ILLUSTRATION
MR	SHIFT	
CLEAR	OL=**	Display times of overload

## VOLTAGE DISPLAY

OPERATION	DISPLAY	ILLUSTRATION
MR	SHIFT	
F1	U X.XX	Display show current voltage of the battery
MR	0	Return to weigh

## TURN OFF

ÅTGÄRD	VISAS	BESKRIVNING
OFF	OFF	
	U X.XX	Display show current voltage of battery then turn off